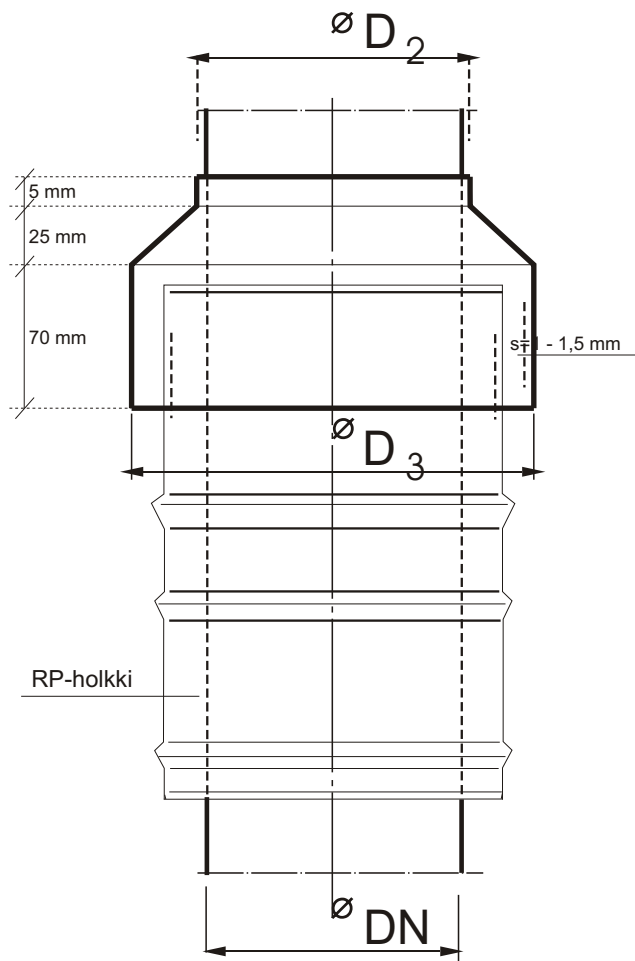
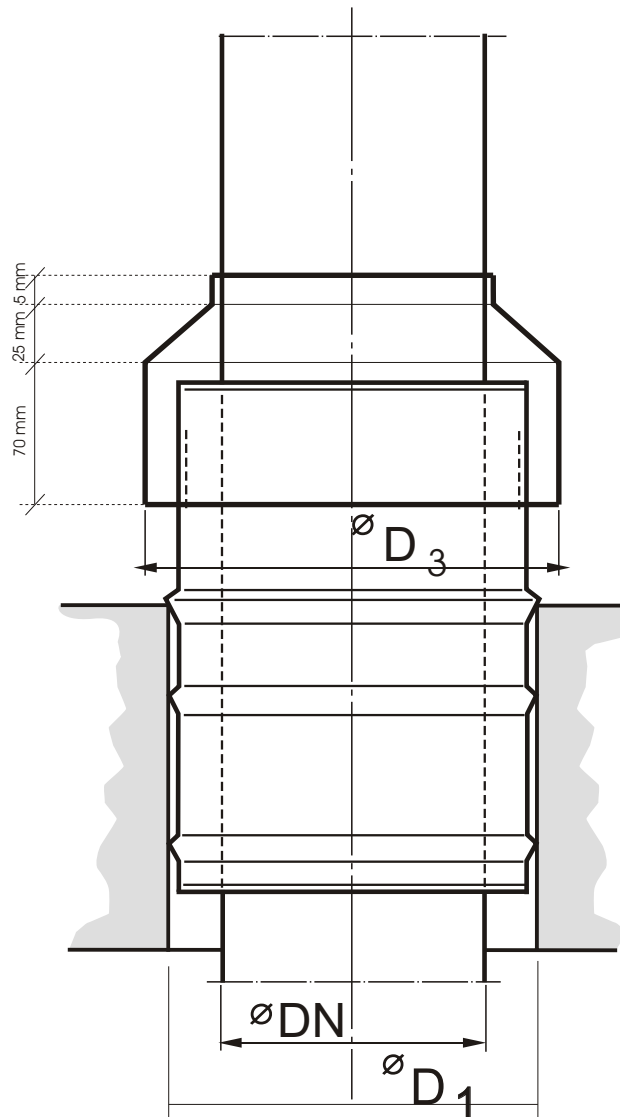


## RP-ROISKEVESIKAULUS



| Roiskevesikauluksen<br>Tunnus | Yhteensopiva<br>RP-holkki | Pros.putki<br>$\varnothing DN$ | RP-kaulus<br>$\varnothing D_3$ | RP-kaulus<br>$\varnothing D_2$ |
|-------------------------------|---------------------------|--------------------------------|--------------------------------|--------------------------------|
| RPK- 75-102/DN                | RP 75-102                 | < 40                           | 130                            | DN+2                           |
| RPK- 75-102/DN 40             | RP 75-102                 | 40                             | 130                            | 50                             |
| RPK- 75-102/DN 50             | RP 75-102                 | 50                             | 130                            | 62                             |
| RPK- 75-102/DN 65             | RP 75-102                 | 65                             | 130                            | 78                             |
| RPK- 75-102/DN 80             | RP-102                    | 80                             | 130                            | 91                             |
| RPK-125-152/DN                | RP125-152                 | $\leq$ 65                      | 190                            | DN+2                           |
| RPK-125-152/DN 65             | RP125-152                 | 65                             | 190                            | 78                             |
| RPK-125-152/DN 80             | RP125-152                 | 80                             | 190                            | 91                             |
| RPK-125-152/DN 100            | RP125-152                 | 100                            | 190                            | 116                            |
| RPK-125-152/DN 125            | RP-152                    | 125                            | 190                            | 142                            |
| RPK-200-250/DN                | RP200-250                 | $\leq$ 100                     | 290                            | DN+2                           |
| RPK-200-250/DN 100            | RP200-250                 | 100                            | 290                            | 116                            |
| RPK-200-250/DN 125            | RP200-250                 | 125                            | 290                            | 142                            |
| RPK-200-250/DN 150            | RP200-250                 | 150                            | 290                            | 171                            |
| RPK-200-250/DN 200            | RP-250                    | 200                            | 290                            | 222                            |
| RPK-300-350/DN                | RP300-350                 | $\leq$ 150                     | 390                            | DN+2                           |
| RPK-300-350/DN 150            | RP300-350                 | 150                            | 390                            | 171                            |
| RPK-300-350/DN 200            | RP300-350                 | 200                            | 390                            | 222                            |
| RPK-300-350/DN 250            | RP300-350                 | 250                            | 390                            | 276                            |
| RPK-300-350/DN 300            | RP-350                    | 300                            | 390                            | 327                            |

## RP-ROISKEVESIKAULUS ja RP-HOLKKI



| $\varnothing DN$ |           | RP-holkki | kaulus<br>$\varnothing D_3$ | Tim.reikä<br>$\varnothing D_1$ |
|------------------|-----------|-----------|-----------------------------|--------------------------------|
| Eristämätön      | Eristetty |           |                             |                                |
| $\leq 20$        |           | RP 52     |                             |                                |
| $\leq 50$        |           | RP 75     | 130                         | 75                             |
|                  |           | RP 77     | 130                         | 77                             |
| 80               |           | RP 100    | 130                         | 100                            |
|                  |           | RP 102    | 130                         | 102                            |
| 100              |           | RP 125    | 190                         | 125                            |
|                  |           | RP 127    | 190                         | 127                            |
| 125              |           | RP 150    | 190                         | 150                            |
|                  |           | RP 152    | 190                         | 152                            |
| 150              |           | RP 200    | 290                         | 200                            |
|                  |           | RP 202    | 290                         | 202                            |
| 200              | $80 \leq$ | RP 250    | 290                         | 250                            |
| 250              |           | RP 309    | 390                         | 309                            |
| 300              | 100       | RP 350    | 390                         | 350                            |
| 350              | 150       | RP 410    |                             | 410                            |
| 400              | 200       | RP 450    |                             | 450                            |
| 450              | 250       | RP 500    |                             | 500                            |